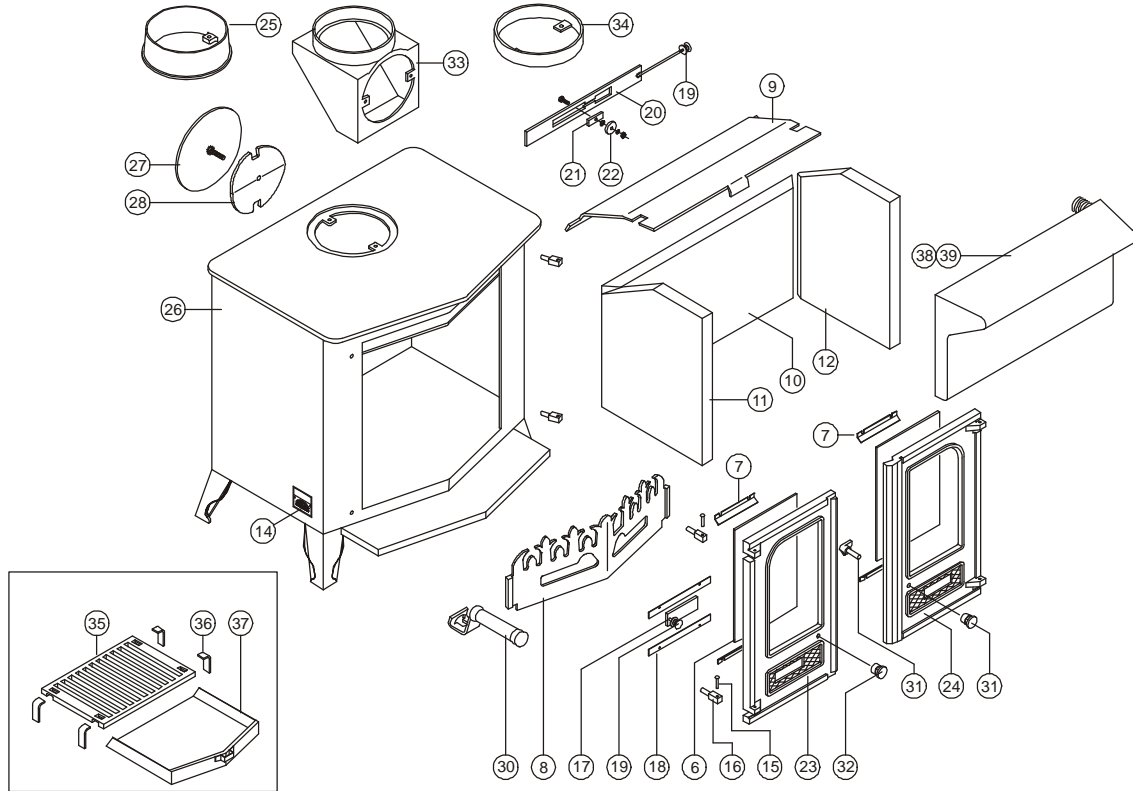


Parts List



Item	Part No.	Description
1*	008/LV35L	Left Hand Door Seal
2*	008/LV35R	Right Hand Door Seal
3*	008/LV35/S	Door Seal Set Incl. Adhesive
4*	008/FW29	Door Seal Adhesive
5*	008/TW44S	Glass Channel (set of 8)
6	006/LW30	Glass (Inc Channel)
7	004/GV23	Glass Retainer
8	002/LV07C/A	Front Fence
9	010/MV31	Throat Plate
10	011/MV29	Back Fire Brick
11	011/LV28L	Left Hand Fire Brick
12	011/LV28R	Right Hand Fire Brick
13	011/MV28S	Set of Fire Bricks
14	012/MV11	Serial No. Label
15	008/BW39/S	Hinge Pin Set (4 per set)
16	008/FW27	Hinge Post
17	012/TW14	Primary Air Slide
18	004/FV18	Primary Air Slide Guide
19	002/TW13	Air Control Knob
20	012/BV14	Secondary Air Slide
21	012/FV14/2	Secondary Air Slide Guide
22	012/FV14/3	Secondary Air Slide Retainer
23	002/TW01	Left Hand Door
24	002/BV02	Right Hand Door
25	002/CH12B	Flue Collar
26	001/MV10	Firebox (Country 12 WB)
27	012/TW09	Blanking Plate
28	010/TW61	Clamping Plate
29*	010/EW51	Ash Carrier (Optional Extra)
30	012/BV20/A	Ashpan / Door Opening Tool
31	008/BV03/A	Door Catch Assembly
32	002/BV12	Left Hand Door Knob
33	010/TW33	Vert. Rear Flue Connector (Opt'l Extra)
34	010/TW55	Flue collar for Cast Pipe (Opt'l Extra) ...
35	002/LV03	Coal Grate (Optional Extra)

Item	Part No.	Description
36	010/LV04/S	Grate Legs (Set of 4)
37	004/LV17	Ashpan
38	010/MV25	Boiler, Steel (Optional Extra)
39	010/MV25/SS	Boiler, Stainless Steel (Optional Extra) ...
40	010/MV20	Coal Kit

* These items are not shown on the drawing.



To obtain spare parts please contact your local stockist giving Model, Part No. and Description. In case of difficulty contact the manufacturer at the address shown. This drawing is for identification purposes only.